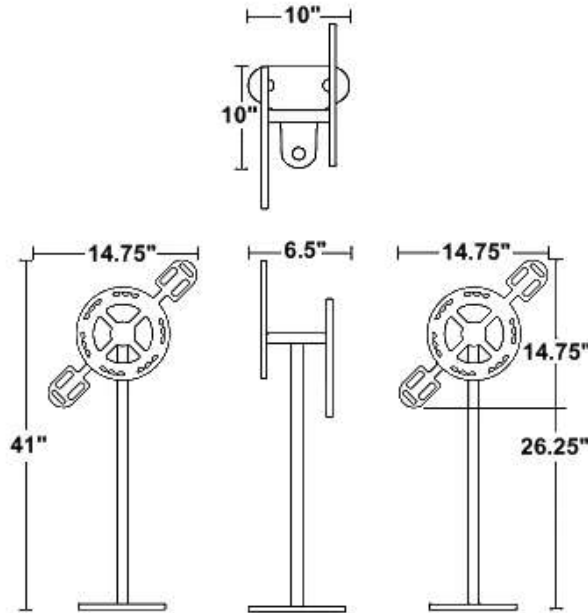




SPOKESMAN BIKE RACK SPECIFICATIONS



- Supports 2 Bicycles
- 2 inch DOM pipe (for better paint adhesion)
- 1/4 inch plate steel for base and “sprockets”
 - 9 stage iron pre-treatment includes a zinc phosphate undercoating
- Electro-desposition tank application of 1 mil high quality “E-coat” corrosion protection
- Electrostatic powder coating 3 to 6 mils baked on to ensure a hard, durable finish
 - 3 1/2 inch anchors (compared to 4 anchors for most bike racks) reduces installation costs by 25%